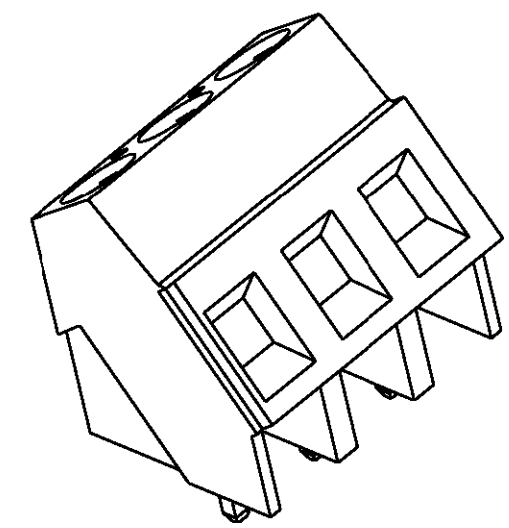
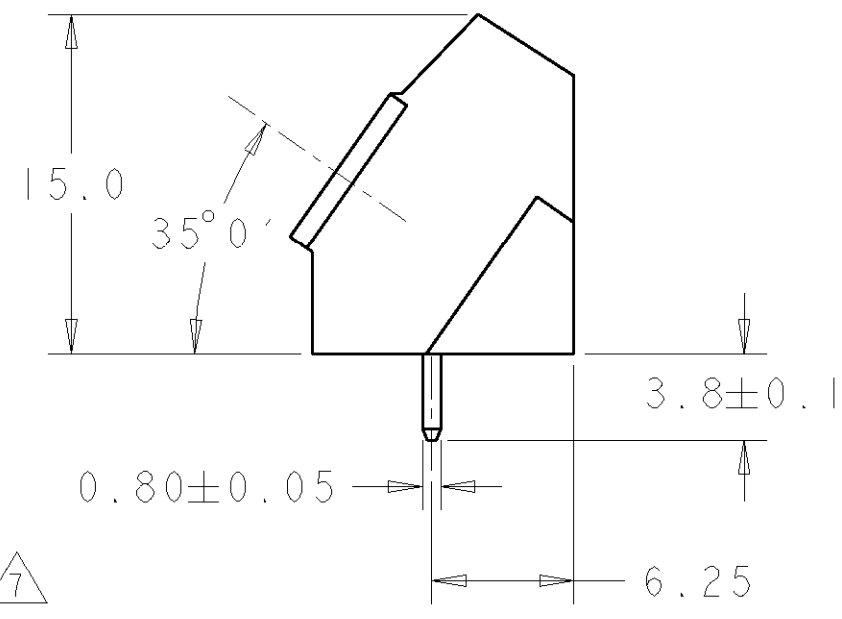
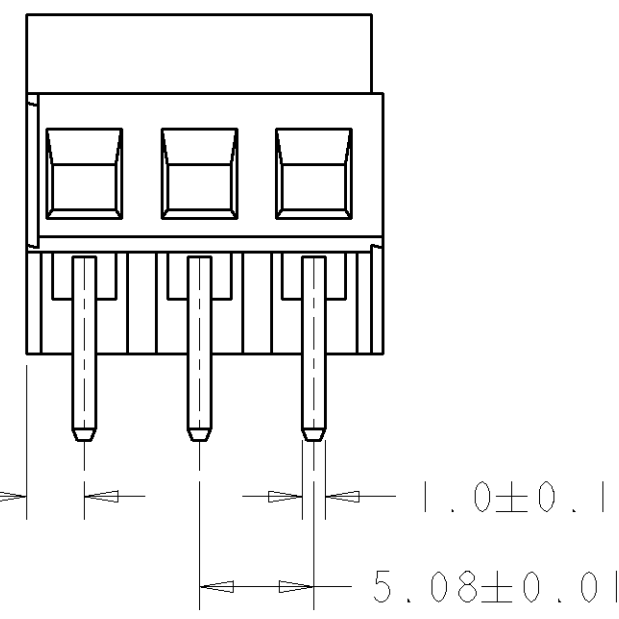
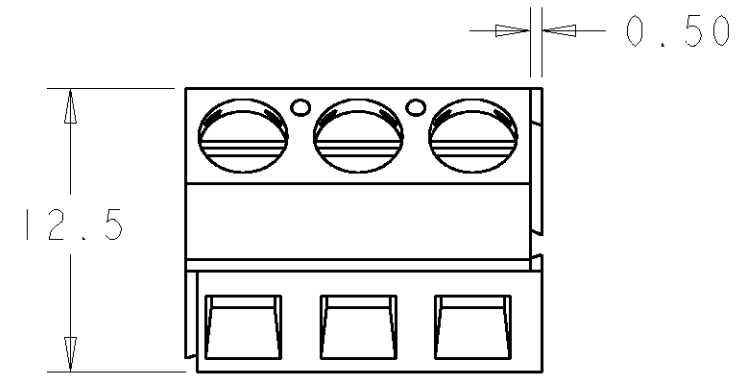


THIS DRAWING IS UNPUBLISHED. RELEASED FOR PUBLICATION 20
 © COPYRIGHT 20 BY TYCO ELECTRONICS CORPORATION. ALL RIGHTS RESERVED.

LOC	DIST	REVISIONS			
P	LTR	DESCRIPTION	DATE	DWN	APVD
FT	0	A	RELEASED	17AUG2001	EZ DB
		B	REVISED PER 0G3B-0038-02	18MAR2002	EZ DB
		C	REVISED PER 0G3B-0127-02	18MAR2002	EZ DB

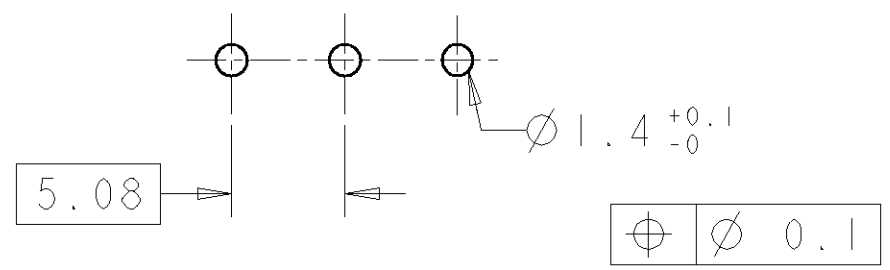
- 1 MATERIALS AND FINISH
 HOUSING: PA 6-6, UL 94-V0, COLOR BLACK.
 CLAMP: BRASS, NICKEL PLATED.
 TERMINAL: BRASS, TIN PLATED.
 CLAMPING SCREW: M3, BRASS, NICKEL PLATED.
- 2 SUITABLE FOR 1,6-2,4mm PCB THICKNESS.
- 3 END-TO-END STACKABLE W/INTERLOCK, WITHOUT LOSS OF CENTERLINE SPACING.
- 4 WIRE SIZE RANGE: 12-30 AWG
- 5 RECOGNIZED UNDER THE COMPONENT PROGRAM OF UNDERWRITERS LABORATORIES INC., FILE N° E60677.
- 6 IMQ CERTIFICATE WITH SURVEILLANCE IN CONFORMITY WITH IEC 998-1/998-2-1.
- 7 NOT CUMULATIVE TOLERANCE.
- 8 WHITE INK STAMPING.
- 9 BUCHANAN LOGO TO APPEAR ON HOUSING, LOCATION OPTIONAL, WHERE SPACE PERMITS.



1546074-3 AS SHOWN

DIM. A	N° POS.	PART NUMBER
121.92	24	3-1546074-4
121.92	24	3-1546074-3
121.92	24	3-1546074-2
50.80	10	3-1546074-0
40.64	8	2-1546074-8
121.92	24	2-1546074-4
116.84	23	2-1546074-3
111.76	22	2-1546074-2
106.68	21	2-1546074-1
101.60	20	2-1546074-0
96.52	19	1-1546074-9
91.44	18	1-1546074-8
86.36	17	1-1546074-7
81.28	16	1-1546074-6
76.20	15	1-1546074-5
45.72	14	1-1546074-4
66.04	13	1-1546074-3
60.96	12	1-1546074-2
55.88	11	1-1546074-1
50.80	10	1-1546074-0
45.72	9	1546074-9
40.64	8	1546074-8
35.56	7	1546074-7
30.48	6	1546074-6
25.40	5	1546074-5
20.32	4	1546074-4
15.24	3	1546074-3
10.16	2	1546074-2

RECOMMENDED PC BOARD LAYOUT



<small>THIS DRAWING IS A CONTROLLED DOCUMENT FOR TYCO ELECTRONICS CORPORATION. IT IS SUBJECT TO CHANGE AND THE CONTROLLING ENGINEERING ORGANIZATION SHOULD BE CONTACTED FOR THE LATEST REVISION.</small>		DWN E. ZANOLINI 15MAR2001 CHK D. BIEVENOUR 15MAR2001 APVD D. BIEVENOUR 15MAR2001		BUCHANAN Tyco Electronics Harrisburg, PA 17105-3608	
DIMENSIONS: mm 		TOLERANCES UNLESS OTHERWISE SPECIFIED: 0 PLC ± 1 PLC ±0.3 2 PLC ±0.25 3 PLC ± 4 PLC ± ANGLES ±2		NAME: TERMINAL BLOCK, PCB MOUNT ANGLED ENTRY WIRE, STACKING W/ INTERLOCK, 5.08mm, PITCH	
MATERIAL:		FINISH:		PRODUCT SPEC: - APPLICATION SPEC: - WEIGHT: -	
CUSTOMER DRAWING		SIZE: A3 CAGE CODE: 00779 DRAWING NO: 1546074		RESTRICTED TO: -	
SCALE: 3:1		SHEET: 1 OF 2		REV: C	

THIS DRAWING IS UNPUBLISHED.

RELEASED FOR PUBLICATION

20

© COPYRIGHT 20

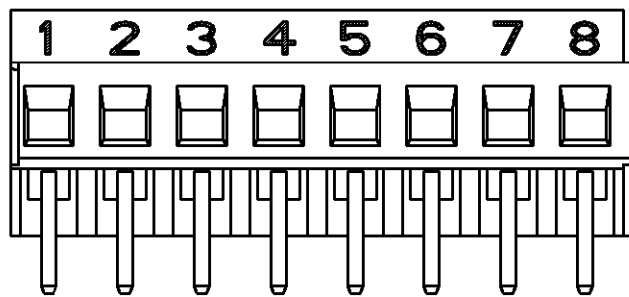
BY TYCO ELECTRONICS CORPORATION. ALL RIGHTS RESERVED.

LOC
FT

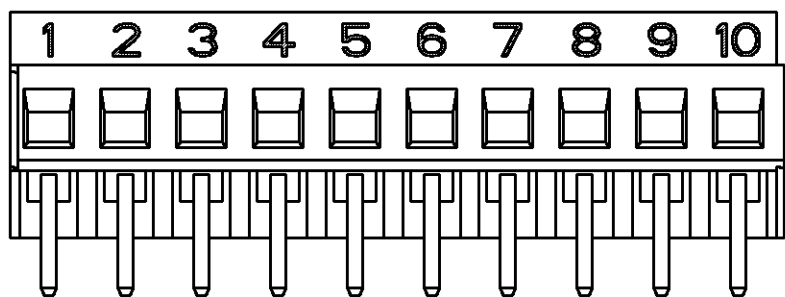
DIST
0

REVISIONS

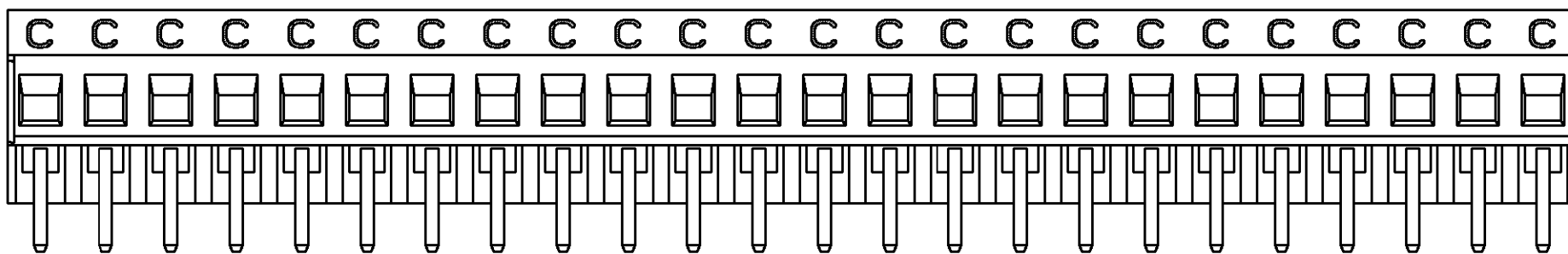
P	LTR	DESCRIPTION	DATE	DWN	APVD
-	-	SEE SHEET 1	-	-	-



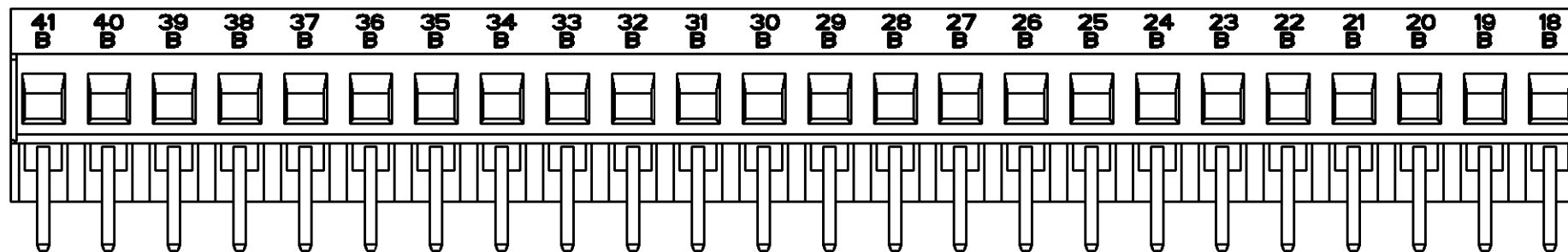
2-1546074-8 AS SHOWN



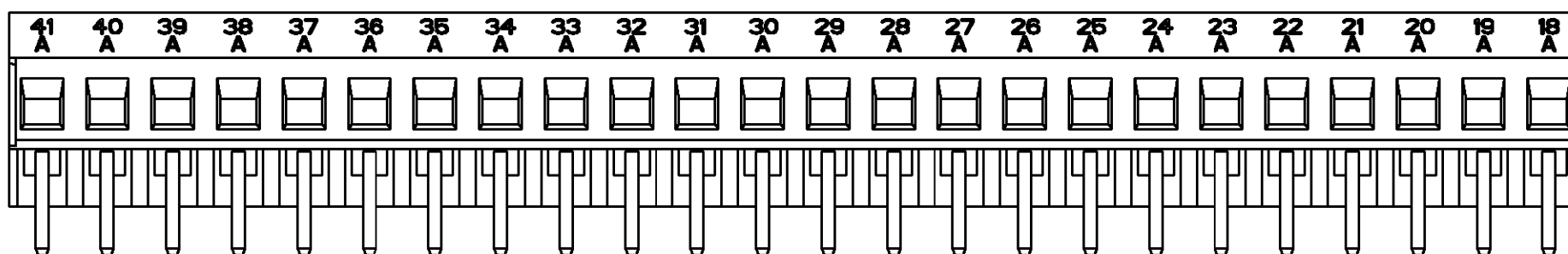
3-1546074-0 AS SHOWN



3-1546074-2 AS SHOWN



3-1546074-3 AS SHOWN



3-1546074-4 AS SHOWN

<small>THIS DRAWING IS A CONTROLLED DOCUMENT FOR TYCO ELECTRONICS CORPORATION IT IS SUBJECT TO CHANGE AND THE CONTROLLING ENGINEERING ORGANIZATION SHOULD BE CONTACTED FOR THE LATEST REVISION.</small>		DWN 15MAR2001 E. ZANOLINI CHK 15MAR2001 D. BIEVENOUR APVD 15MAR2001 D. BIEVENOUR PRODUCT SPEC - APPLICATION SPEC - WEIGHT -		BUCHANAN Tyco Electronics Harrisburg, PA 17105-3608 NAME TERMINAL BLOCK, PCB MOUNT ANGLED ENTRY WIRE, STACKING W/ INTERLOCK, 5.08mm, PITCH	
DIMENSIONS: mm 	TOLERANCES UNLESS OTHERWISE SPECIFIED: 0 PLC ± 1 PLC ± 2 PLC ± 3 PLC ± 4 PLC ± ANGLES ±	MATERIAL - FINISH -	CUSTOMER DRAWING SCALE 3:1	SIZE A3 CAGE CODE 00779 DRAWING NO C-1546074 RESTRICTED TO -	SHEET 2 OF 2 REV C